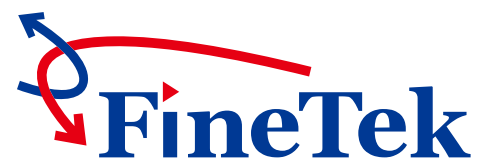


## Magnetic Float Level Switch



[www.fine-tek.com](http://www.fine-tek.com)



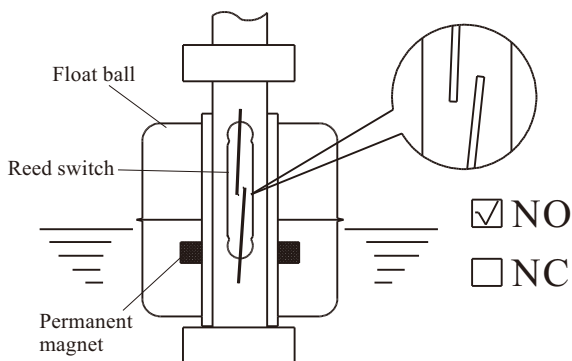
# INTRODUCTION

## PRINCIPLE

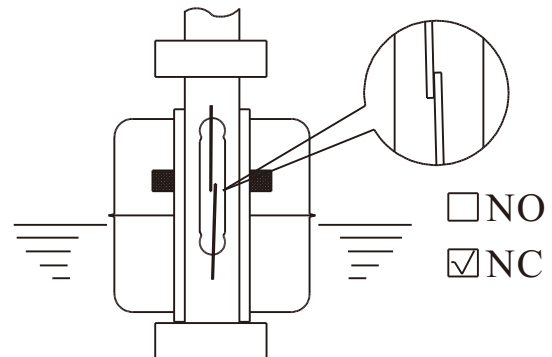
The single unit or multiple reed switch units are housed tightly in stainless steel or engineering plastic stem, and the permanent magnet is sealed into the middle of the specified float ball(s). You can mount the float ball to penetrating through the stem, then the liquid buoyancy will deliver the float ball up and down at the specified position by graduating rings.

When the float internal magnet approaches the reed switch, it will actuate the reed switch contact point to create an open or close circuit. We can apply such on-off output signals to reach liquid level controlling and monitoring purpose.

The figures below show the float orientations on N.O. (Normal Open) and N.C. (Normal Close).



Rising float ball to actuate the reed switch



Rising float ball to switch off.

## FEATURES

- ★ Multiple points measuring, multiple level points could be for custom-made.
- ★ Employing the magnet to actuate the reed switch requires no power. Life expectancy of each contact can reach up to 2 million times.
- ★ All output signal wiring are simplified in same junction box (housing) to economize the external wiring construction.
- ★ FC(D) type magnetic float level switches are more cost-effective than other level switches in terms of multiple points.
- ★ The housing protection is at least IP65.
- ★ Rugged construction and multiple options for materials from engineering plastics as PVDF, PP, PVC, and stainless steels such as SUS304, SUS316, float switches can be applied to versatile applications in chemical corrosion of acidity and alkalinity liquid, solvents or oil fuels.
- ★ The reed switch and lead wire are isolated with liquids absolutely. All stainless steel switches are applicable to high pressure and high temperature environment.

## APPLICATIONS

Shipbuilding Industry, Generator Facilities, Petrochemical Industry, Food/Beverage Industry, Waste Water/Water Purified Facilities, Electronic Industry, Dyeing and Finishing Industry, Chemical Industry, Rubber/ Plastic Industry, Hydraulic.

## SPECIFICATION

Tube Type	Material	Switching Contact from	Switching Capacity Max.	Switching Voltage Max.	Switching Current Max.	Carry Current Max.
OD8	SUS	SPST	50W	300Vac/350Vdc	0.5A	2.5A
	PVC	SPDT	20W	150Vac/200Vdc	1A	2A
OD9.5	SUS	SPST	50W	300Vac/350Vdc	0.5A	2.5A
		SPDT	20W	150Vac/200Vdc	1A	2A
OD12.7	SUS	SPST	50W	220Vac/500Vdc	3A	4A
		SPDT	50W	400Vac/1000Vdc	1A	2A
OD16	PVDF	SPST	50W	220Vac/500Vdc	3A	4A
		SPDT	50W	400Vac/1000Vdc	1A	2A
OD17.2	PP	SPST	50W	220Vac/500Vdc	3A	4A
		SPDT	50W	400Vac/1000Vdc	1A	2A

※ Reed switches of UL approval are 240Vac/ 200Vdc, 50w,0.5A.

## APPLICATION FIELDS OF FLOAT

Environments Float	Working Temp.	Pressure Rating	Acid	Alkaline	Oil	Solvent
SUS304	- 20°C~120°C (200°C Max.)	10~ 30kg/cm <sup>2</sup>	×	△	◎	◎
SUS316	- 20°C~120°C (200°C Max.)	10~ 30kg/cm <sup>2</sup>	△	○	◎	◎
Polypropylene	-20°C~80°C	4kg/cm <sup>2</sup>	○	○	○	×
PVDF	-20°C~120°C	3kg/cm <sup>2</sup>	◎	◎	○	○

Note: ◎ = Excellent    ○ = Good    △ = Acceptable    × =Not good    (S10 resistance:50 kg)



● Excellent ○ Good △ Fair × Corroded

Chemical	Concentration %	Temp		Plastic				Rubber	Stainless	
		°C	°F	PVC	PP	PVDF	PTFE	NBR	304	316
Citric Acid $C_6H_8O_7$	10	40	104	●	●	●	●	●	●	●
	10	80	176		○	●	●	●		
Gasoline	10	40	104	●		●	●			
	10	80	176			●	●			
Diesel Fuels		40	104			●	●		●	●
		80	176			●	●		●	●
Ethyl Alcohol $C_2H_5OH$	Pure	40	104	●	●	●	●	●	○	○
		80	176		○	●	●	○		
Formic Acid $HCOOH$	90	40	104	○	○	●	●			
		80	176			●	●			
Hydrofluoric Acid HF	Dilute	40	104	●	○	●	●			
		80	176		○	●	●			
	30	40	104	○	○	●	●			
		80	176	×	○	●	●			
		40	104	△	○	●	●			
		80	176		○	●	●			
		40	104	△	○	●	●			
		80	176		○	●	●			
Hydrogen peroxide $H_2O_2$	5	40	104	●	●	●	●		○	●
	5	80	176		○	●	●			
	20	40	104	●	●	●	●			
	20	80	176		○	●	●			
	30	40	104	○	○	●	●			
	30	80	176		△	●	●			
	50	40	104	△	×	●	●			
	50	80	176			●	●			
Isopropyl Alcohol $(CH_3)_2CHOH$	Pure	40	104	●	●	●	●	○		
		80	176			●	●			
Kerosene		40	104	●	○	●	●			
		80	176			●	●			
Methyl Alcohol $CH_3OH$		40	104	○	●	●	●	△		
		80	176		○	●	●			
Methyl Ethyl Ketone $CH_3COC_2H_5$		40	104		△		●			
		80	176				●			
Potassium Chromate $K_2CrO_4$		40	104	●	●	●	●	●		
		80	176		○	●	●	○		

# CONTACT PROTECTION CIRCUITS

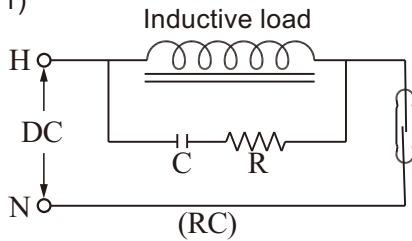
## INDUCTIVE LOADS

When using a reed switch with inductive loads such as motors, relays, solenoids, etc., the contact will be subjected to a high induced voltage during opening of the contact (load circuit).

Such high induced voltage (transients) may cause damages to the reed switch or significantly reduce its life.

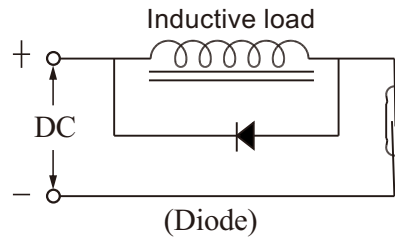
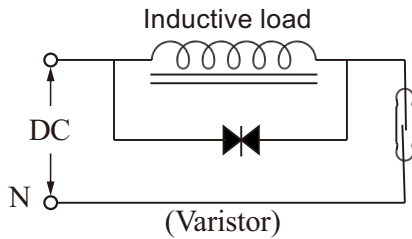
Therefore, protective circuits such as: RC (snubber), varistors or clamping diodes are recommended.(refer to Fig.1)

(Fig.1)



$$C = \frac{I^2}{10} \text{ (uF)}$$

$$R = \frac{E}{10I(1 + \frac{50}{E})}$$



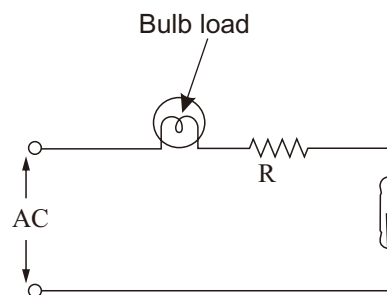
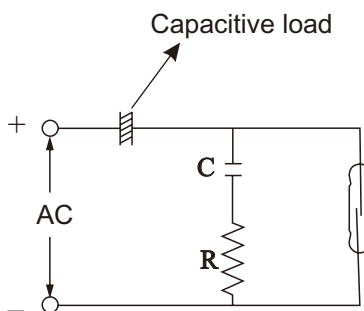
★ It is prohibited to connect directly with any solenoid valve, motor or magnetic switch.

## CAPACITIVE LOADS

When using a reed switch with capacitive loads such as capacitors, incandescent lamps or long cables, the contact will be subjected to a high surge (inrush) current.

Therefore, protective circuits such as: surge suppressors or current limiting resistors are recommended.(refer to Fig.2)

(Fig.2)



Parallel connection of RC circuit and switch will surge current bypass.

Series connection of resistance and switch limit surge current.

# HOUSING SPECIFICATION

**B**

Material : Aluminum  
Enclosure : IP65  
Terminals : 2~12  
Max.Temp.: -20°C ~200°C

**C**

Material : PP+Fiber  
Enclosure : IP65  
Terminals : 2~12  
Max.Temp.: -20°C ~80°C

**D**

Material : Aluminum  
Enclosure : IP65  
Terminals : 2~12  
Max.Temp.: -20°C ~200°C

**E**

Material : Aluminum  
Enclosure : IP65  
Terminals : 2~6  
Max.Temp.: -20°C ~200°C

**G**

Material : PC  
Enclosure : IP65  
Terminals : 2~6  
Max.Temp.: -20°C ~80°C

**H**

Material : Aluminum  
Enclosure : IP65  
Terminals : 2~12  
Max.Temp.: -20°C ~100°C

\*For side-mounting float series.

**K** Explosion-proof

Material : Aluminum  
Enclosure : INERIS 09 ATEX 0049  
 II 2GD Ex d IIC T4~T6  
Terminals : 2~6  
Max.Temp.: -20°C ~100°C

**L** Explosion-proof

Material : Aluminum  
Enclosure : INERIS 09 ATEX 0049  
 II 2GD Ex d IIC T4~T6  
Terminals : 2~6  
Max.Temp.: -20°C ~90°C

\*For flow switch series.

**M**

Material : SUS316  
Enclosure : IP65  
Terminals : 2~6  
Max.Temp.: -20°C ~200°C

\*For side-mounting float series.

**N**

Material : SUS316  
Enclosure : IP65  
Terminals : 2~6  
Max.Temp.: -20°C ~200°C

**X**

Material : Aluminum  
Enclosure : IP65  
Terminals : 2~6  
Max.Temp.: -20°C ~100°C

## Cable Conduit Ex d IIC

Material: Washer ---NBR  
Body--- Aluminum (3/4" NPT)  
Nickel plated (1/2" NPT)

**29-1104**

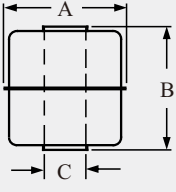
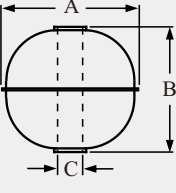
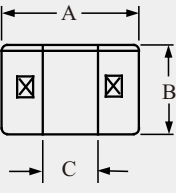
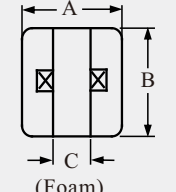
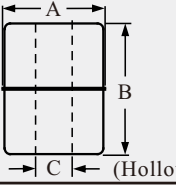
$\phi_{Max}=9$   
 $\phi_{Min}=6$

**29-1108**

$\phi_{Max}=12$   
 $\phi_{Min}=9$

Remark 1 : Cable conduit is optional. Contact us if needed.

# FLOAT SPECIFICATIONS

MODEL	TYPE	$\phi A \times B \times \phi C$	S.G.	Max. Pressure (kg/cm <sup>2</sup> )	Weight (g)	Material/Color	Max. Temp. (°C)
	S1	28x28x9.5	E>0.7	10	8	SUS 316 / 316L	200
	S3	45x55x15	E>0.65	12	37.6	SUS 316	200
	S6	75x108x20	E>0.5	10	165	SUS 316	200
	S13	38x50x15	E>0.62	12	22.9	SUS 316L	200
	S2	41x38x11	E>0.7	35	19.5	SUS 316	200
	S4	52x52x15	E>0.55	30	33.4	SUS 316	200
	S5	75x73x20	E>0.70	30	102.4	SUS 316	200
	S7	30x28x9.5	E>0.75	25	8	SUS 316 / 316L	200
	S8	100x100x20	E>0.5	15	249.7	SUS 304	200
	S9	150x150x30	E>0.45	15	534	SUS 304	200
	S10	30x32x9.5	E>0.75	50	8.6	SUS 316	200
	S11	28x32x9.5	E>0.82	30	8.1	SUS 316	200
 <p>(Hollow)</p>	P1	25x15x10	E>0.65	4	3.5	PP / white black	80
	P2	25x25x10	E>0.7	4	5	PP / white black	80
	P3	48x45x18.5	E>0.6	5	35.5	PP / black	80
	P4	20x25x10	E>0.7	4	3.7	PP / black	80
	P5	20x20x8.1	E>0.75	4	4	PP / black	80
	P8	18.2x15.3x7.2	E>0.8	4	1.82	PP / black	80
 <p>(Foam)</p>	Q6	20x20x7.5	E>0.75	ATM	3.5	PP / white	80
	Q7	25x25x8.8	E>0.7	ATM	6.7	PP / white	80
	N1	25x15x10	E>0.5	ATM	2.7	NBR / black	100
	N2	18.5x26x10	E>0.7	ATM	3.3	NBR / black	100
	N3	19x20x10	E>0.55	ATM	2.4	NBR / black	100
	N4	17.5x25x10	E>0.65	ATM	2.5	NBR / black	100
	N5	30x45x12.8	E>0.5	ATM	11.5	NBR / black	100
 <p>(Hollow)</p>	F2	40x41.5x14	E>0.63	5	18.5	PP	80
	F3	45x45x20	E>0.65	5	35.7	PP	80
	F4	48x62x18	E>0.8	5	65.3	PVDF	120

※ S5 float: E>0.65 for FC; E>0.61 for FG

※ F4 float: E>0.8 for FC; E>0.75 for FG



# ORDER SPECIFIED

## THE PROPERTIES BETWEEN LIQUID AND FLOAT

Please choose the proper float subject to above independent specified terms and chemical characters.

**1. Temperature:** PVDF Max. 120°C,  
PP Max. 80°C,  
SUS304/ 316 Max. 200°C

**2. Pressure:** SUS304/ 316 Float, Max. 35kg/cm<sup>2</sup>  
Engineering plastic, Max. 5kg/cm<sup>2</sup>  
(S10 float Max. 50kg)

**3. Viscosity:** Please choose smaller S.G. with  
greater diameter floats to cope with  
high viscosity liquid applications.

**4. Chemical:** Please use plastic float for acid/  
alkaline corrosion of chemical  
applications. PVDF float is noted  
for high temperature cases.

**5. Benzine:** Please choose stainless steel floats  
to apply in any gasoline, fuel oil,  
petroleum application.

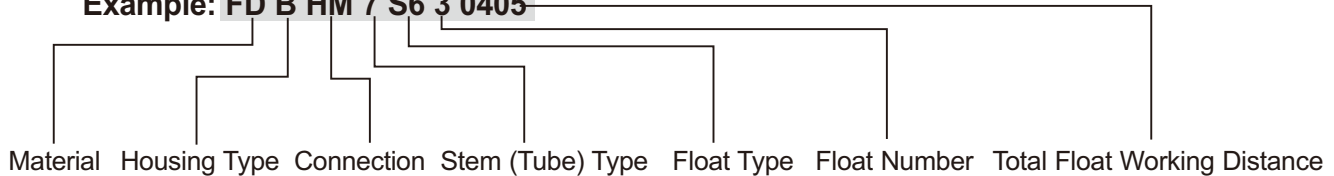
**6. S.G.:** The float S.G. Must be smaller than the  
liquid, otherwise, the liquid buoyancy  
can not deliver the float upward.

### Buyer's guide :

The magnetic level switch can be done as per  
customer's specified technical data such as  
the flange, thread, housing, float ball diameter,  
float ball number, the float traveling up or down  
actuated position by N.C. or N.O. output, the  
total float working distance (L) or each

independent float actuating position, please  
refer the order information to define the  
application specifications. A single ball driving  
multiple actuated points is available to apply  
on the order form.

**Example: FD B HM 7 S6 3 0405**

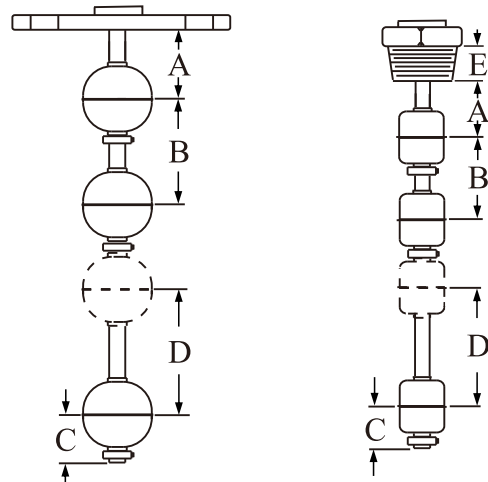


It is requested the minimum interval for a single  
ball driving dual actuated positions (D) or  
neighboring two balls (B), or from the bottom to  
the lowest ball interval (C) or from the mounting  
position to the first ball (A), otherwise, there will  
be some magnetic mutually interference involved  
by insufficient interval. To ensure the defined  
distance, please see the data below:

- A= Minimum distance from the mounting  
position to the highest actuation level.
- B= Minimum distance between any two  
actuation levels.
- C= Minimum distance from end of the lowest level.
- D= Minimum distance between two actuation levels  
by one float.
- E= Screw length

FLOAT TYPE	S1	S2	S3	S4	S5	S6	P1	P2	P3	F4
A(mm)	25	32	40	39	50	70	23	27	47	55
B(mm)	50	64	82	78	99	136	44	55	85	98
C(mm)	25	32	40	39	50	70	23	31	43	50
D(mm)	30	40	55	50	65	70	30	30	45	65

SCREW	1/2"	3/4"	1"	1-1/4"	1-1/2"	2"	2-1/2"	3"
(E) (mm)	14	16	19	22	22	25	28	32



# HOW TO MAKE YOUR ORDER

**F D B H M 7 S 6 3 0 5 0 0 A (T)**

R: Sensor T: Test Rod  
 C: PVC Pipe Shield  
 F: PVDF Pipe Shield  
 P: PP Pipe Shield  
 4: SUS 304 Pipe Shield  
 6: SUS 316 Pipe Shield

**Contact Form**

A: SPST C: SPDT F: 1 float 2 points  
 G: 1 float 3 points \_: No contact

**Length:(L) Unit=mm**

0500: below 500mm  
 1000: 501~1000mm  
 1500: 1001~1500mm ※ 500mm/per unit

**Quantity of float (1~4)**

**Float Type (Please refer page 7)**

F2, F3, F4  
 P1,P2, P3, P4  
 S1, S2, S3, S4, S5, S6, S7, RO  
 Q7, N1, N2, N3, N4, N5

**Stem**

Code size	Material	Code size	Material	Code size	Material
0: $\phi$ 8	PP	6: $\phi$ 16	PVDF	A: $\phi$ 8	SUS316
1: $\phi$ 8	SUS304	7: $\phi$ 17.2	SUS304	B: $\phi$ 9.5	SUS316
2: $\phi$ 8	PVC	8: $\phi$ 12.7	P.P.	C: $\phi$ 12.7	SUS316
3: $\phi$ 9.5	SUS304	9: $\phi$ 12.7	PVC	D: $\phi$ 17.2	SUS316
4: $\phi$ 12.7	SUS304			E: $\phi$ 8	PFA
5: $\phi$ 17.2	P.P.			S: special	

**Connection Type**

**Housing Type**

B: AL. (Big space)  
 C: PP (Anti-acidity)  
 D: Aluminum  
 E: AL. (Small space)  
 G: PC (Anti-acidity)  
 H: Aluminum  
 K: AL.  
 N: SUS304 or SUS316  
 P: Plastic IP65  
 -: Without housing  
 2: Without housing (Side Mounting)

Size for flange or screw		Pressure range or other	
A: 3/8" (10A)	I: 4"(100A)	M: 5kg/cm <sup>2</sup> JIS	X: PN16 (16Bar)
B: 1/2" (15A)	J: 5"(125A)	N: 10kg/cm <sup>2</sup> JIS	Y: PN25 (25Bar)
C: 3/4" (20A)	K: 6"(150A)	O: 150Lbs ANSI	Z: PN40 (40Bar)
D: 1" (25A)	S: Others	P: 300Lbs ANSI	J :Adjustment screw
E: 1-1/2"(40A)	1: 1/8"	Q: PT (Male)	K:Adjustment flange
F: 2" (50A)	2: 1/4"	R: PF(G) (Male)	A: PT (Female)
G: 2-1/2"(65A)	3: 1-1/4"(32A)	T: BSP (Male)	B: PF (Female)
H: 3" (80A)		U: NPT (Male)	C: BSP (Female)
		S: Others	U: NPT (Female)
		W: PN10 (10Bar)	

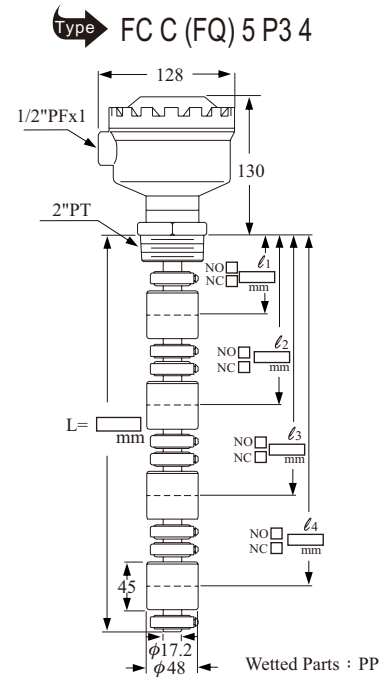
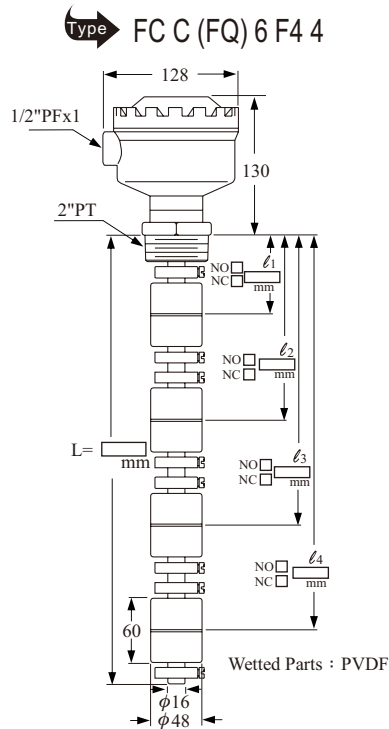
FC: Plastic (Stem)

FD: Metal (Stem)

\* Special term for LR Marine approval: "Environmental test has been carried out but it is not applicable to use in the ship and offshore that type of screw fittings is used for pipe exceeding 51mm outer diameter".

# ANTI-CORROSION SCREW TYPE / FLANGE TYPE

Housing material apply by PP, wet portion material options in PP, PVDF, specially applicable for chemical applications against corrosive environments.



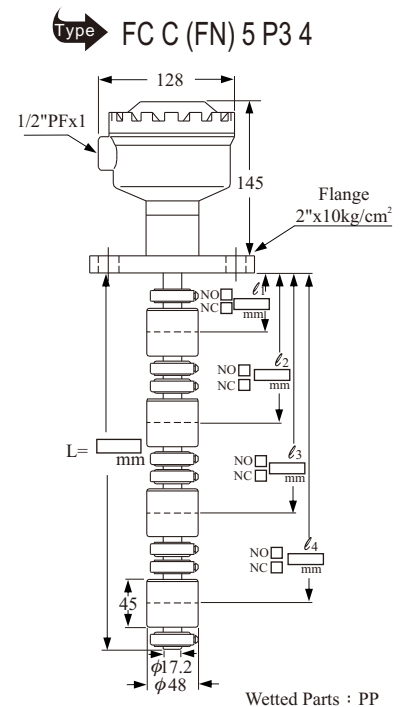
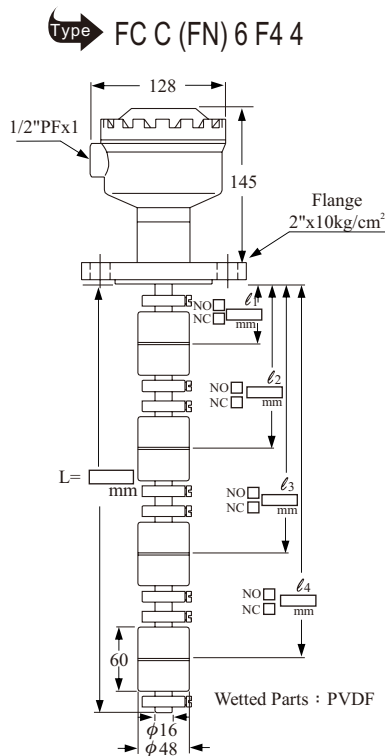
## Order information

Type Housing Type

FC C (FQ) 6 F1 4

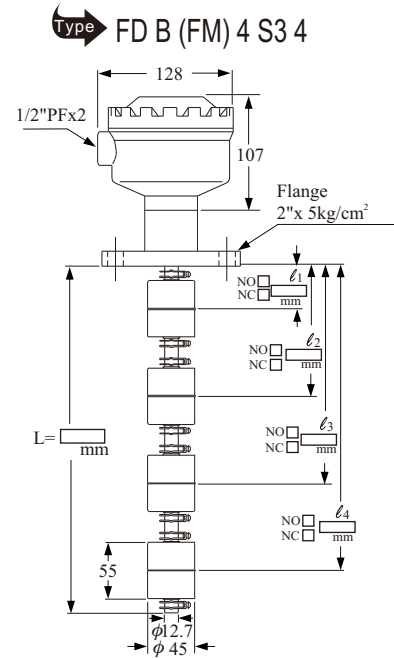
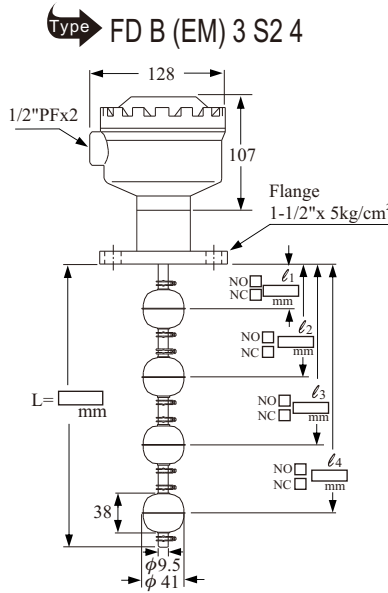
Connection Flanges	Pipe Diameter	Float Type	Float Quantity
FQ=2" PT	6= φ16	F4=PVDF φ48x60	1~ 4
FQ=2" PT	5= φ17.2	P3=PP φ48x45	1~ 4
FN=2" 10kg/cm <sup>2</sup>	6= φ16	F4=PVDF φ48x62	1~ 4
FN=2" 10kg/cm <sup>2</sup>	5= φ17.2	P3=PP φ48x45	1~ 4

※ FCC(FQ) & (FN)2" flange/thread are available, too.



# STANDARD FLANGE TYPE

The housing complies with the IP65 rating and can therefore be used in outdoor environment.

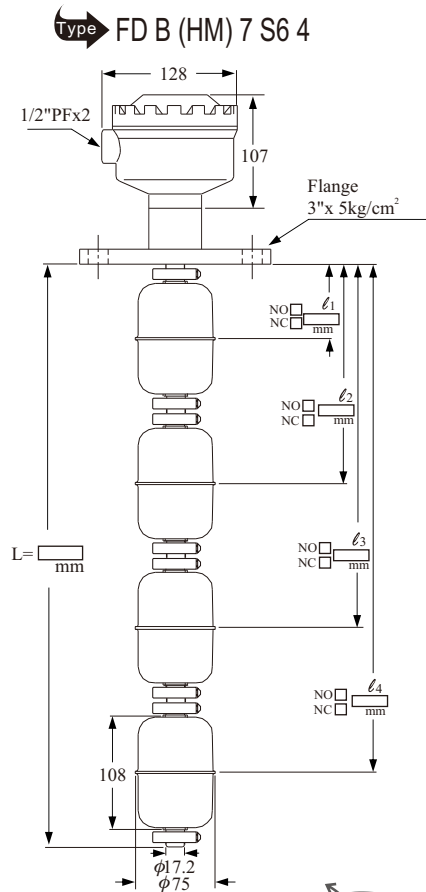
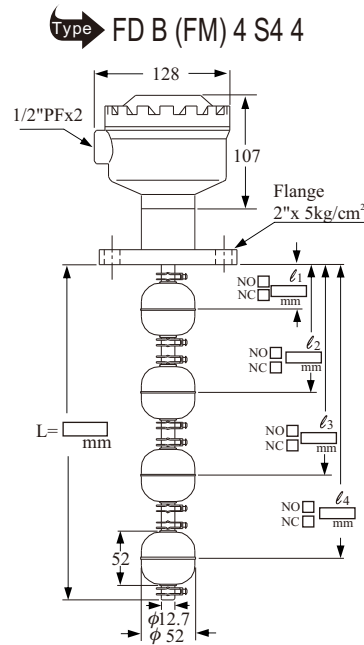


## Order information

Type: FD B (HM) 7 S6 4

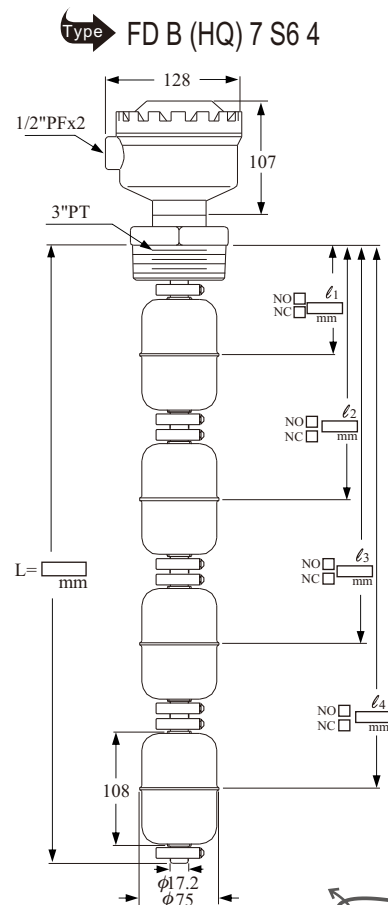
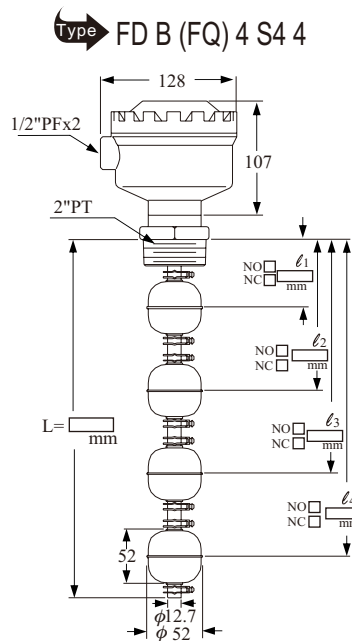
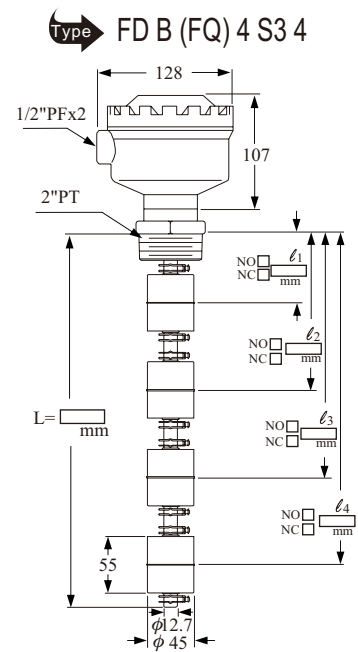
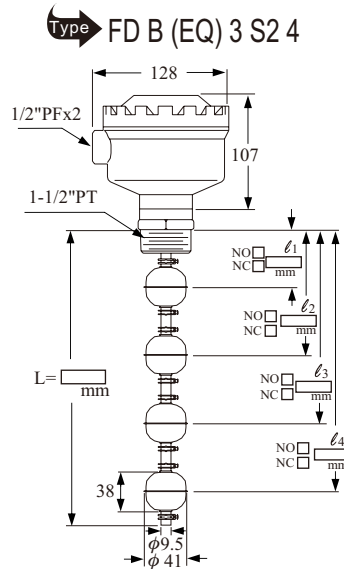
Housing Type: (HM) 7

Connection Flanges	Pipe Diameter	Float Type	Float Quantity
EM=1-1/2" 5kg/cm <sup>2</sup>	3= $\phi$ 9.5	S2= $\phi$ 41x38	1~ 4
FM=2" 5kg/cm <sup>2</sup>	4= $\phi$ 12.7	S3= $\phi$ 45x55	1~ 4
FM=2" 5kg/cm <sup>2</sup>	4= $\phi$ 12.7	S4= $\phi$ 52x52	1~ 4
HM=3" 5kg/cm <sup>2</sup>	7= $\phi$ 17.2	S6= $\phi$ 75x108	1~ 4



# STANDARD SCREW TYPE

The housing complies with the IP65 rating and can therefore be used in outdoor environment.



## Order information

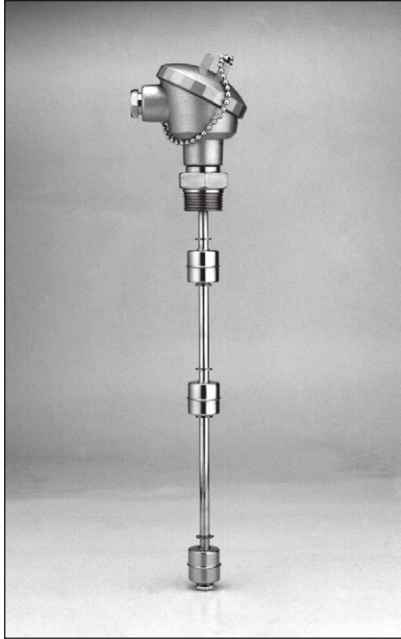
Type: FD B (HQ) 7 S6 4

Housing Type: (HQ) 7 S6 4

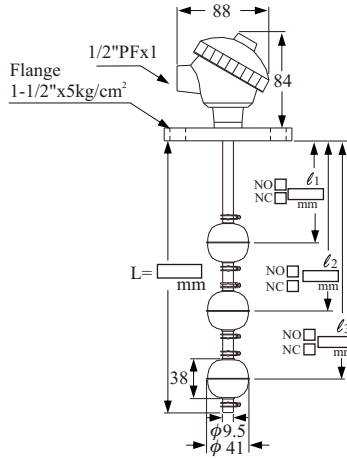
Connection Flanges	Pipe Diameter	Float Type	Float Quantity
EQ=1-1/2" PT	3= $\phi 9.5$	S2= $\phi 41 \times 38$	1~ 4
FQ=2" PT	4= $\phi 12.7$	S3= $\phi 45 \times 55$	1~ 4
FQ=2" PT	4= $\phi 12.7$	S4= $\phi 52 \times 52$	1~ 4
HQ=3" PT	7= $\phi 17.2$	S6= $\phi 75 \times 108$	1~ 4

# SCREW TYPE / FLANGE TYPE

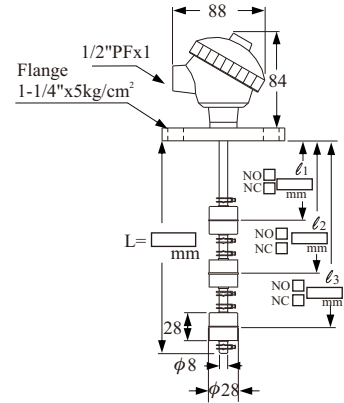
The housing complies with the IP65 rating and can therefore be used in outdoor environment.



Type FD E (EM) 3 S2 3



Type FD E (3M) 1 S1 3

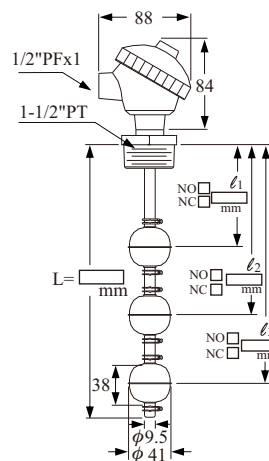


## Order information

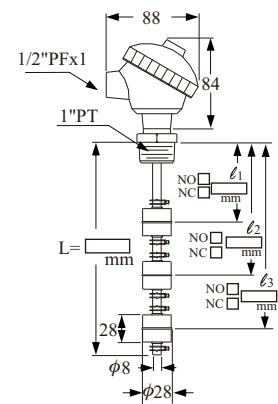
Type: FD E (3Q) 1 S1 3  
Housing Type: (3Q)

Connection Flanges	Pipe Diameter	Float Type	Float Quantity
EM=1-1/2" 5kg/cm <sup>2</sup>	3= $\phi 9.5$	S2= $\phi 41 \times 38$	1~ 3
3M=1-1/4" 5kg/cm <sup>2</sup>	1= $\phi 8$	S1= $\phi 28 \times 28$	1~ 3
EQ=1-1/2" PT	3= $\phi 9.5$	S2= $\phi 41 \times 38$	1~ 3
DQ=1"PT	1= $\phi 8$	S1= $\phi 28 \times 28$	1~ 3

Type FD E (EQ) 3 S2 3



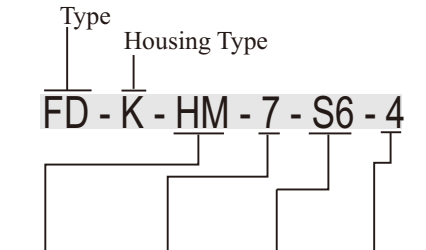
Type FD E (DQ) 1 S1 3



# ENCLOSURE EXPLOSION PROOF

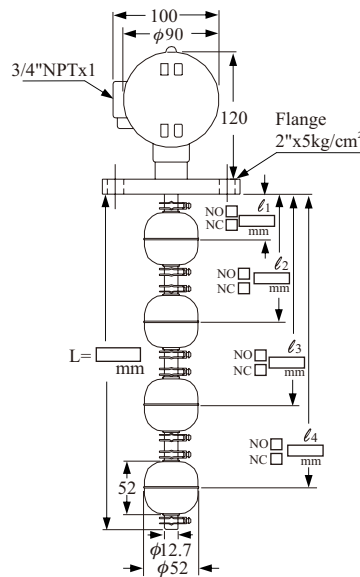
## FLANGE TYPE

### Order information

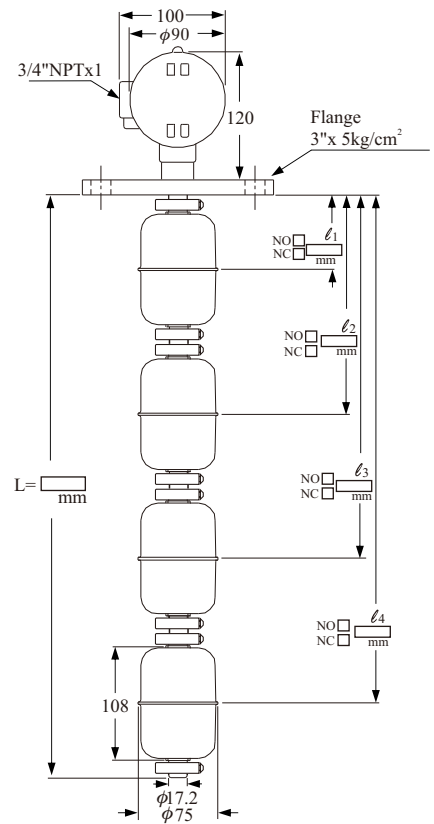


Connection Flanges	Pipe Diameter	Float Type	Float Quantity
EM=1-1/2" 5kg/cm <sup>2</sup>	3= $\phi$ 9.5	S2= $\phi$ 41x38	1~ 4
FM=2" 5kg/cm <sup>2</sup>	4= $\phi$ 12.7	S3= $\phi$ 45x55	1~ 4
FM=2" 5kg/cm <sup>2</sup>	4= $\phi$ 12.7	S4= $\phi$ 52x52	1~ 4
HM=3" 5kg/cm <sup>2</sup>	7= $\phi$ 17.2	S6= $\phi$ 75x108	1~ 4

Type  $\rightarrow$  FD K (FM) 4 S4 4

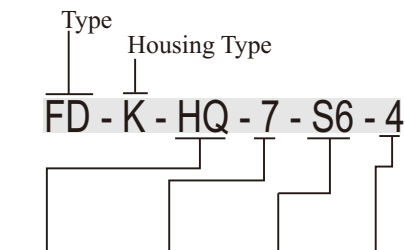


Type  $\rightarrow$  FD K (HM) 7 S6 4



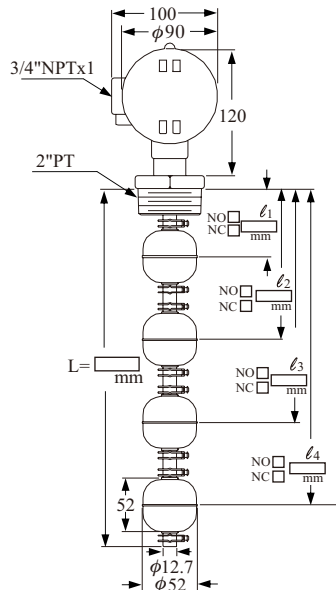
## SCREW TYPE

### Order information

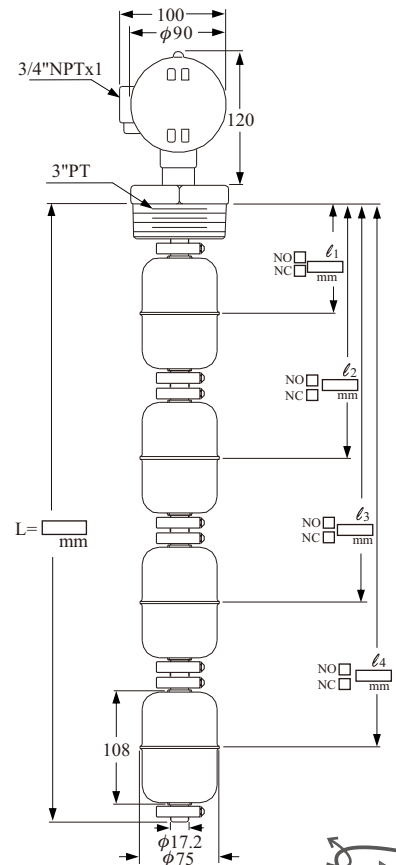


Connection Flanges	Pipe Diameter	Float Type	Float Quantity
EQ=1-1/2" PT	3= $\phi$ 9.5	S2= $\phi$ 41x38	1~ 4
FQ=2" PT	4= $\phi$ 12.7	S3= $\phi$ 45x55	1~ 4
FQ=2" PT	4= $\phi$ 12.7	S4= $\phi$ 52x52	1~ 4
HQ=3" PT	7= $\phi$ 17.2	S6= $\phi$ 75x108	1~ 4

Type  $\rightarrow$  FD K (FQ) 4 S4 4



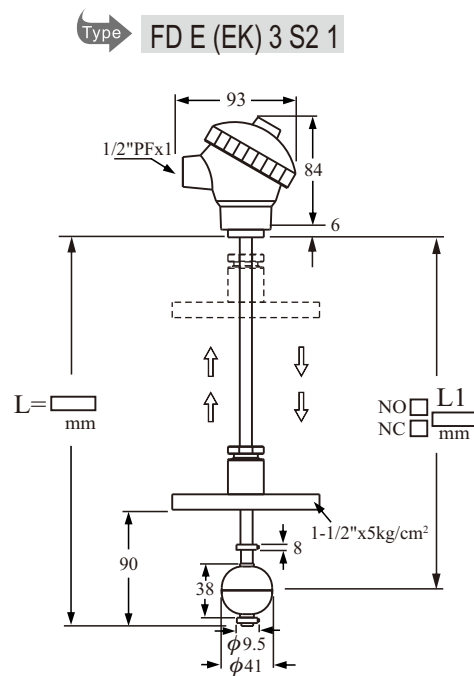
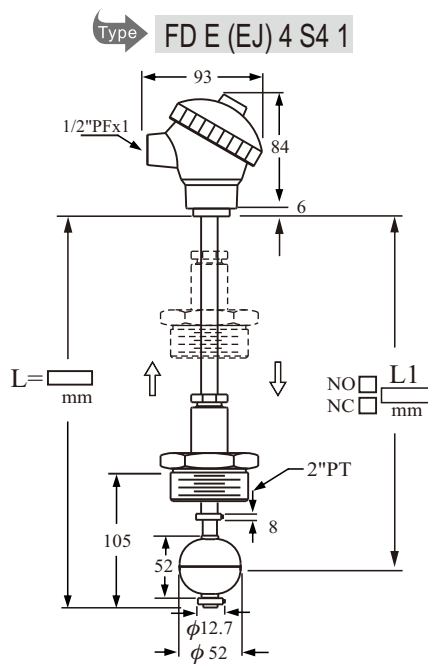
Type  $\rightarrow$  FD K (HQ) 7 S6 4



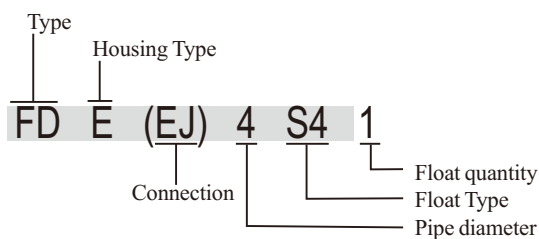
# VERTICAL ADJUSTMENT TYPE

This is a special design for some liquid applications requiring monitoring different actuation levels frequently. The user needs only to loose the hexagon nut, then remove the mounted screw/ flange up or down to achieve the actuated level position adjustment.

- \* Applicable at tank interior pressure under 5 kg/cm<sup>2</sup>.
- \* Standard specification 80°C, special order of max. 200°C available.
- \* Switch contact: 20W/150Vac /250Vdc SPDT  
50W/300Vac /350Vdc SPST  
60W/220Vac /500Vdc SPST  
60W/400Vac /1000Vdc SPDT
- \* Customer specified flange/ screw acceptable.



## Order information



Connection	Pipe Diameter	Float Type
EJ=1-1/2" PT	3= $\phi$ 9.5	S2= $\phi$ 41x38
FJ=2" PT	4= $\phi$ 12.7	S4= $\phi$ 52x52
EK=1-1/2" 5kg/cm <sup>2</sup>	3= $\phi$ 9.5	S2= $\phi$ 41x38

\* Please specify the  $\ell_1$  while placing an order.  
(Length from lower end of housing to center line of float ball)



# TEST ROD

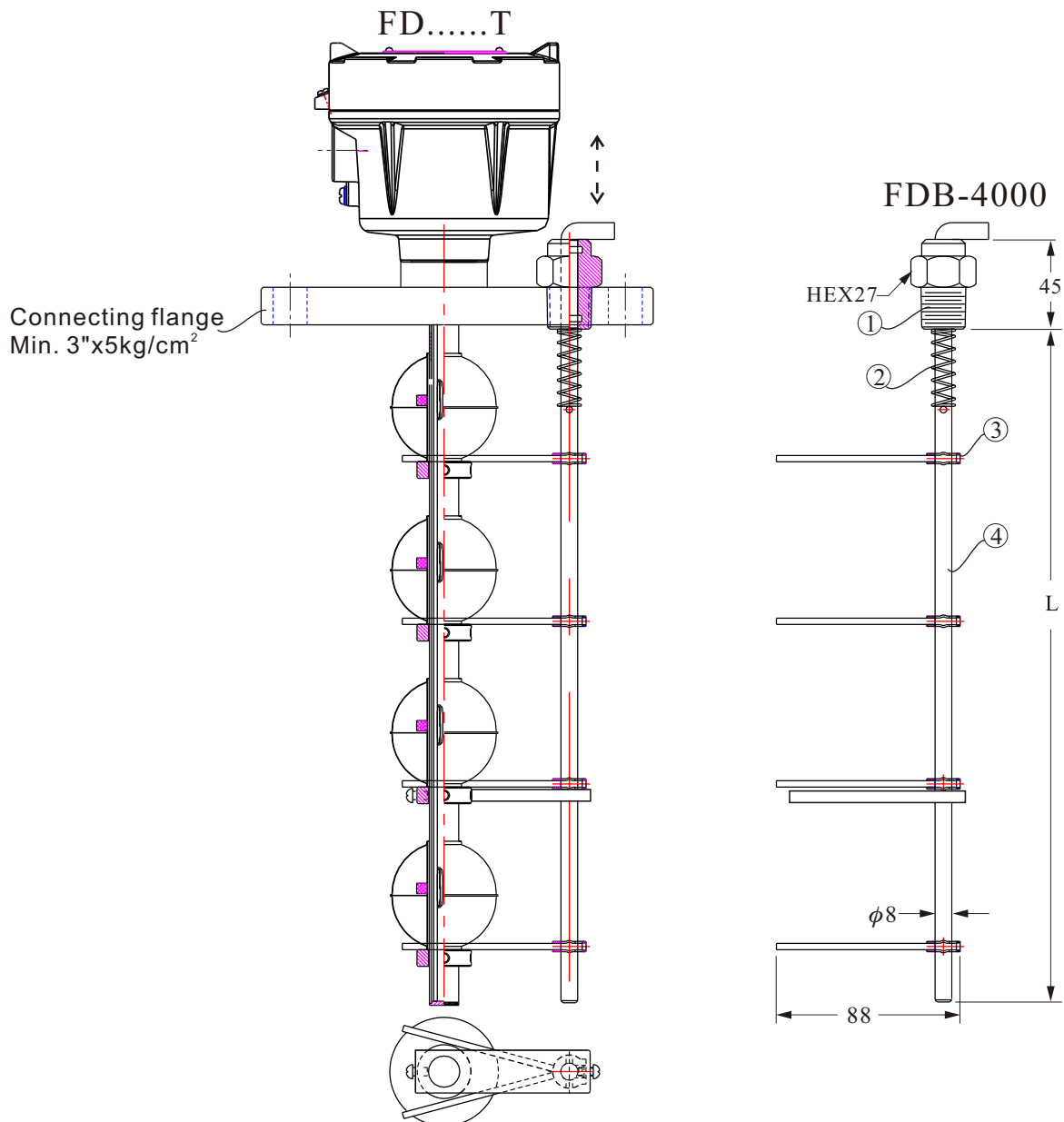
GL Marine Approval 50885-04HH

## FUNCTION:

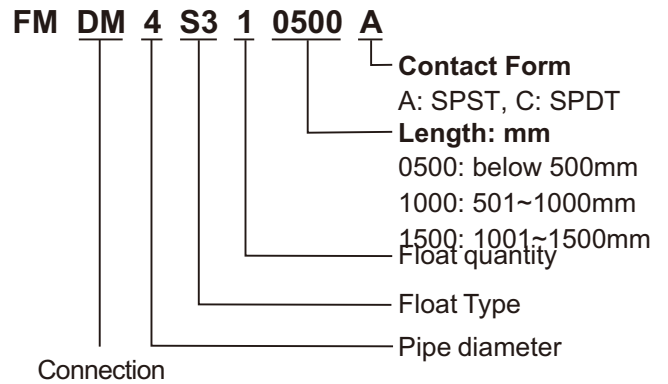
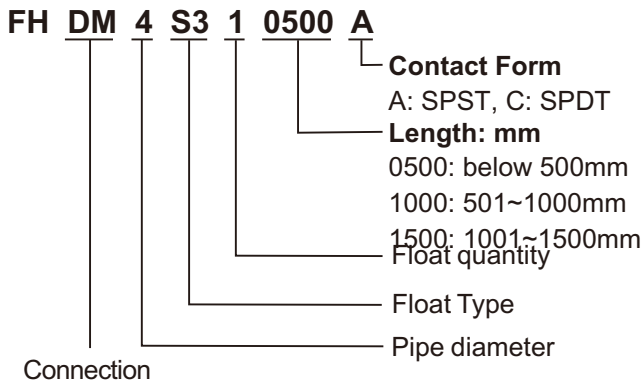
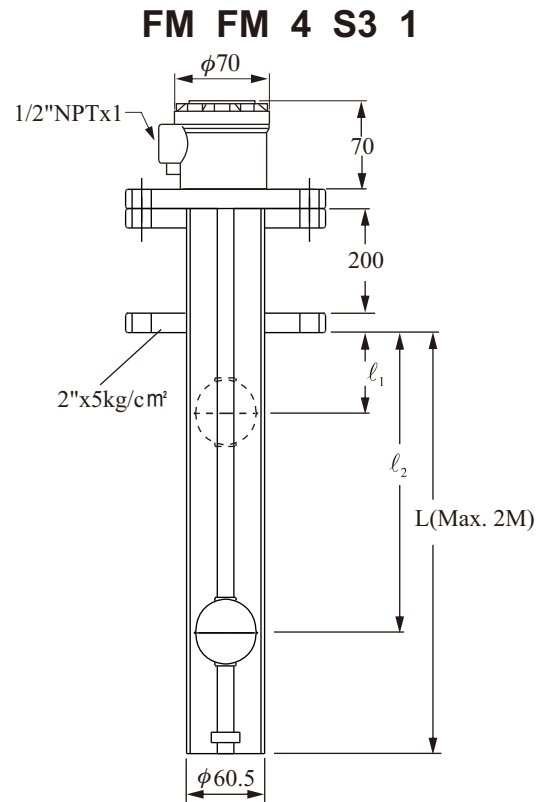
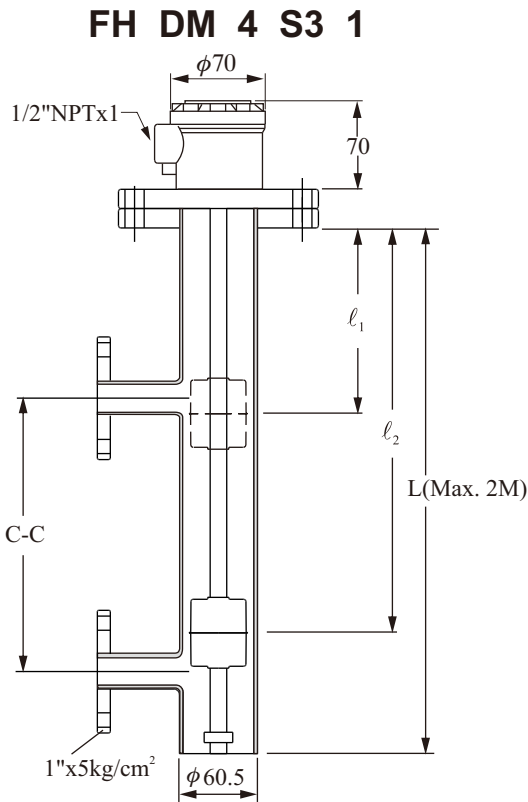
When the Test Rod is attached to a magnetic float level switch, user could test the performance of the magnetic switch directly by pulling the handle of the test rod on the top of the switch.

## MATERIAL:

1. Rod Connection: Bronze
2. Compressed Spring: Stainless Steel
3. Positioning Clip: Stainless Steel
4. Test Rod Stem: Stainless Steel



# MARINE GRADE APPROVAL



\* Please specify the  $l_1$ ,  $l_2$ , C-C and L while placing an order.  
(Length from lower end of housing to center line of float ball)

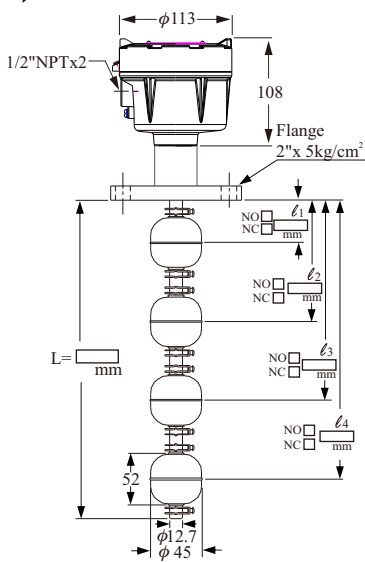
Connection	Pipe Diameter	Float Type
DM=1" x 5kg/cm <sup>2</sup>	4=φ12.7	S3=φ45x55
FM=2" x 5kg/cm <sup>2</sup>	4=φ12.7	S4=φ52x52

\* Special term for LR Marine approval: "Environmental test has been carried out but it is not applicable to use in the ship and offshore that type of screw fittings is used for pipe exceeding 51mm outer diameter".

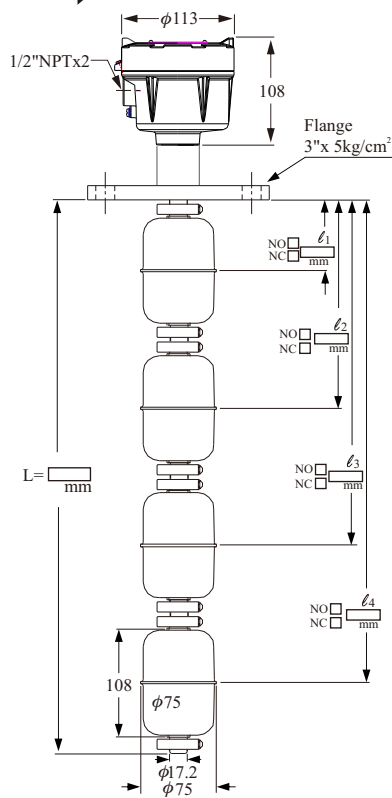
# EXPLOSION PROOF TYPE

## FLANGE TYPE

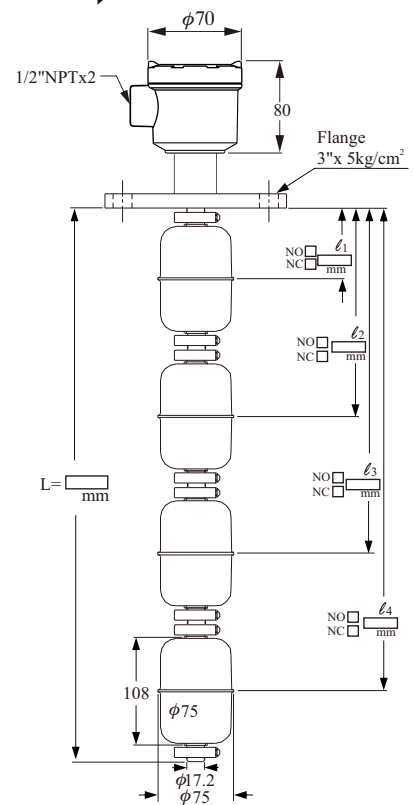
Type FD7 D FM 4 S4 4



Type FD7 D HM 7 S6 4

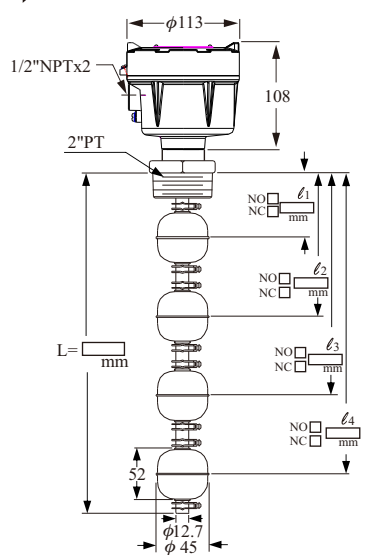


Type FD7 N HM 7 S6 4

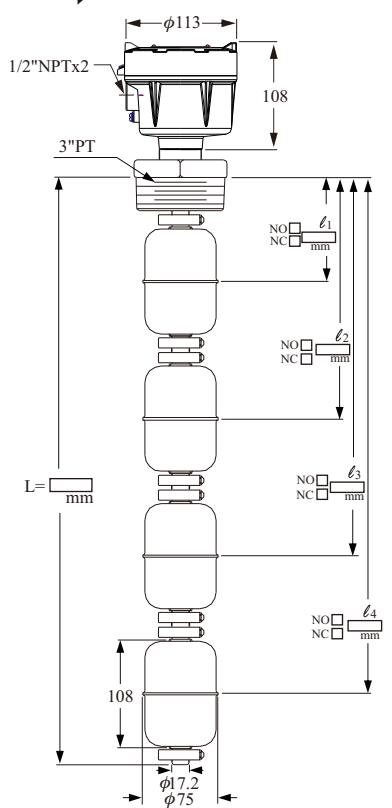


## SCREW TYPE

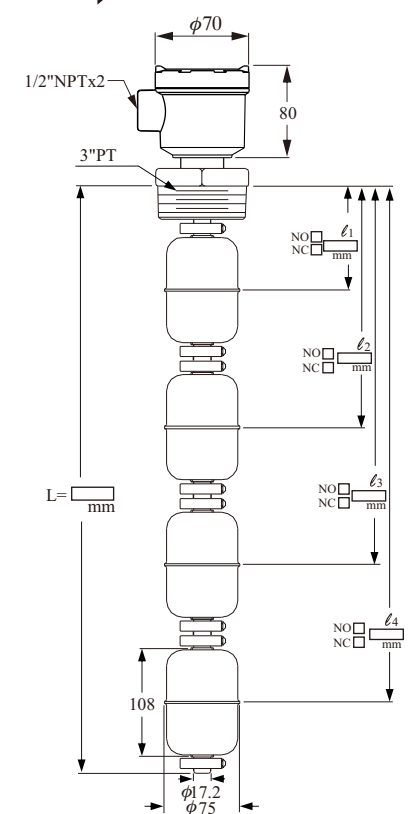
Type FD7 D FQ 4 S4 4



Type FD7 D HQ 7 S6 4



Type FD7 N HQ 7 S6 4



# HOW TO MAKE YOUR ORDER

**F D 7 D H M 7 S 6 3 0 5 0 0 A ( L T )**

T: Test Rog  
 C: PVC Pipe Shield  
 F: PVDF Pipe Shield  
 P: PP Pipe Shield  
 4: SUS 304 Pipe Shield  
 6: SUS 316 Pipe Shield

**Tag**

**Contact Form**

A: SPST C: SPDT  
 F: 1 float 2 points G:1 float 3 points

**Length: mm**

0500: below 500mm  
 1000: 501~1000mm  
 1500: 1001~1500mm ※ 500mm/per unit

**Quantity of float**

**Float Type (see page 7)**

P1,P2, P3, P4  
 F2, F3, F4  
 S1, S2, S3, S4, S5, S6, S7

**Stem**

Code size	Material	Code size	Material	Code size	Material
0: $\phi$ 8	PP	6: $\phi$ 16	PVDF	A: $\phi$ 8	SUS316
1: $\phi$ 8	SUS304	7: $\phi$ 17.2	SUS304	B: $\phi$ 9.5	SUS316
2: $\phi$ 8	PVC	8: $\phi$ 12.7	P.P.	C: $\phi$ 12.7	SUS316
3: $\phi$ 9.5	SUS304	9: $\phi$ 12.7	PVC	D: $\phi$ 17.2	SUS316
4: $\phi$ 12.7	SUS304				
5: $\phi$ 17.2	P.P.				

**Connection Type**

**Housing Type**

D: Aluminum  
 N: SUS304 or SUS316

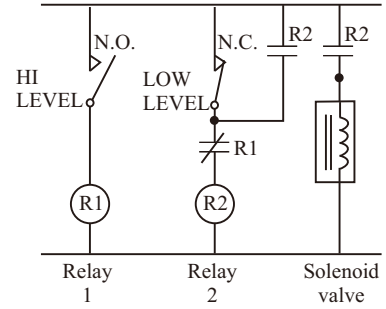
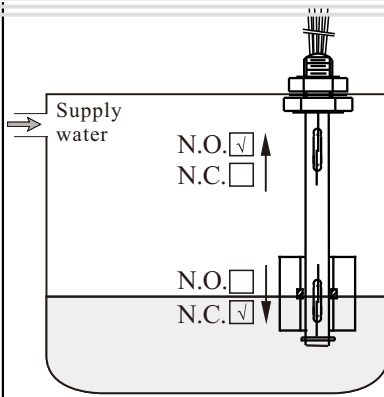
Size for flange or screw		Pressure range or other
A: 3/8" (10A)	I: 4"(100A)	M: 5kg/cm <sup>2</sup> JIS
B: 1/2" (15A)	J: 5"(125A)	N: 10kg/cm <sup>2</sup> JIS
C: 3/4" (20A)	K: 6"(150A)	O: 150Lbs ANSI
D: 1" (25A)	S: Others	P: 300Lbs ANSI
E: 1-1/2"(40A)	1: 1/8"	Q: PT
F: 2" (50A)	2: 1/4"	R: PF (G)
G: 2-1/2"(65A)	3: 1-1/4"(32A)	T: BSP
H: 3" (80A)		U: NPT
		S: Others
		W: PN10 (10Bar)
		X: PN16 (16Bar)
		Y: PN25 (25Bar)
		Z: PN40 (40Bar)
		J : Adjustment screw
		K: Adjustment flange

**Explosion proof**

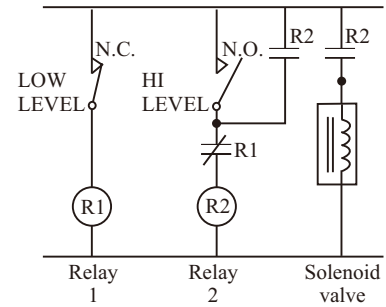
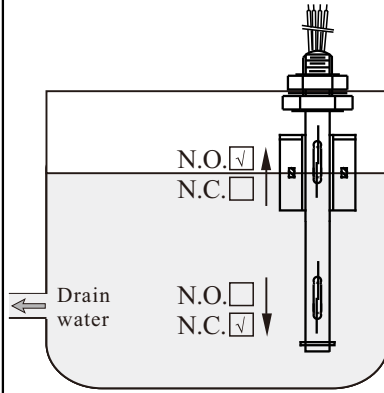
- \* Certified by GL, ABS Marine grade are available. (Please see page 17)
- \* Special term for LR Marine approval: "Environmental test has been carried out but it is not applicable to use in the ship and offshore that type of screw fittings is used for pipe exceeding 51mm outer diameter".

# TYPICAL WIRING DIAGRAMS

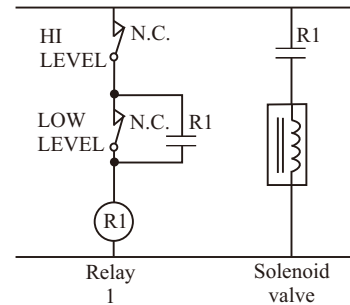
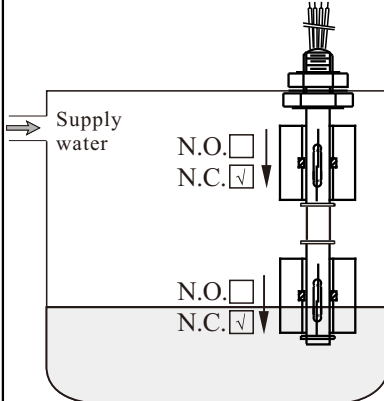
▶ AUTO SUPPLY CASE:  
SINGLE FLOAT  
DUAL SWITCHES



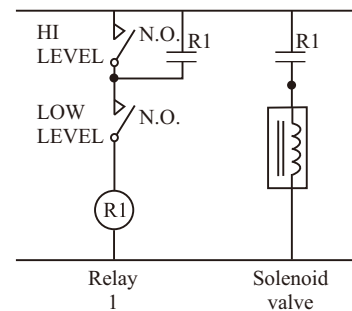
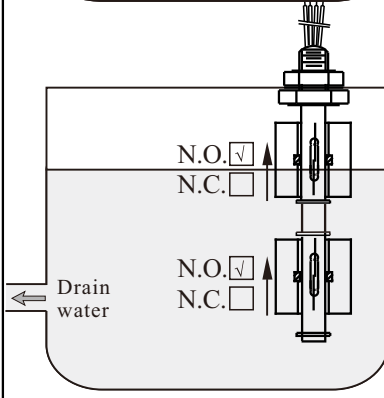
▶ AUTO DRAIN CASE:  
SINGLE FLOAT  
DUAL SWITCHES



▶ AUTO SUPPLY CASE:  
DUAL FLOATS  
DUAL SWITCHES



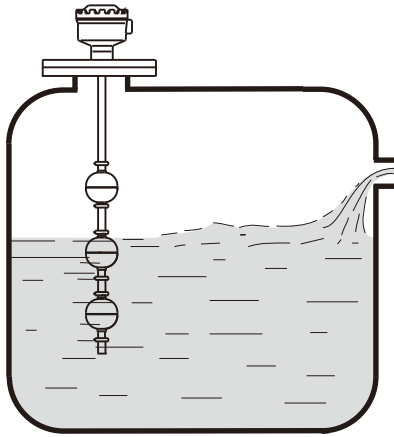
▶ AUTO DRAIN CASE:  
DUAL FLOATS  
DUAL SWITCHES



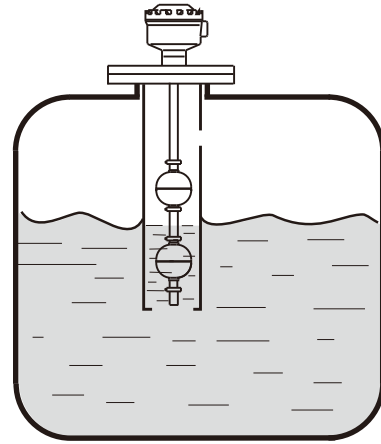
**Note:** The "N.O." Means normally opened circuit of the reed switch (off) in lower liquid level. As the float moves up to the specified higher level, the circuit closed (on).  
The "N.C." Means normally closed circuit of the reed switch (on) in lower liquid level. As the float moves up to the specified higher level, the circuit open (off).

# INSTALLATION

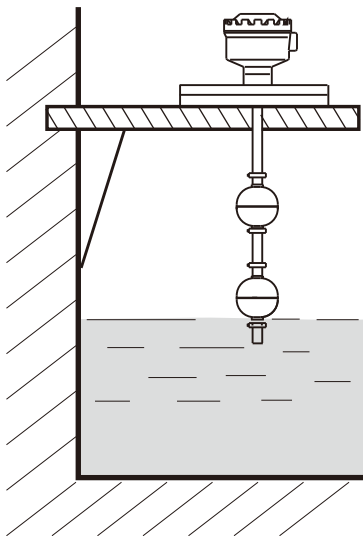
- The float level switch should be mounted far away from liquid inlet. Any strong liquid fluctuation will produce error output signals.



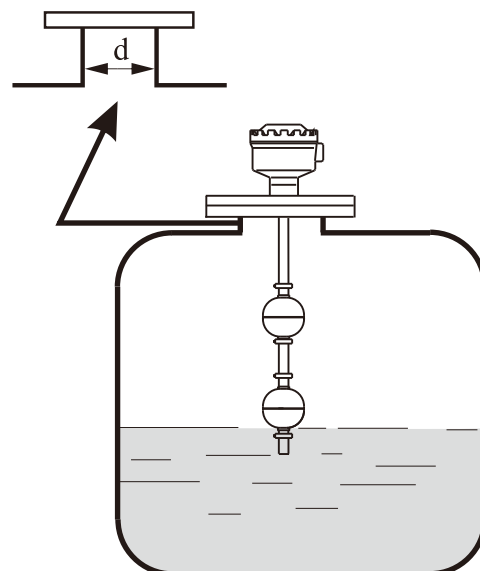
- It is advised to place a pipe shield or equivalent device to normalize the switch actuation if the switch is used near agitator.



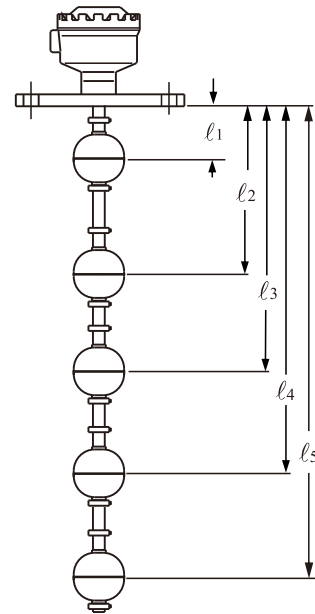
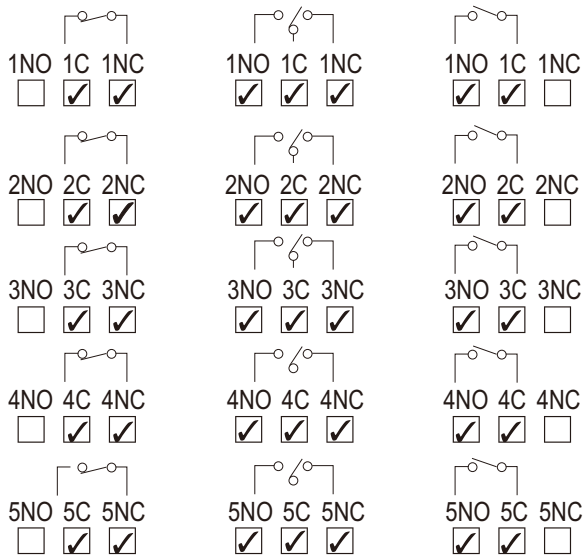
- It had better require an L type supporter, when the switch is mounted in concrete wall tank as figure below.






- It is recommended to select the standpipe with diameter larger than the float ball for installation process.



# CONNECTION DIAGRAMS

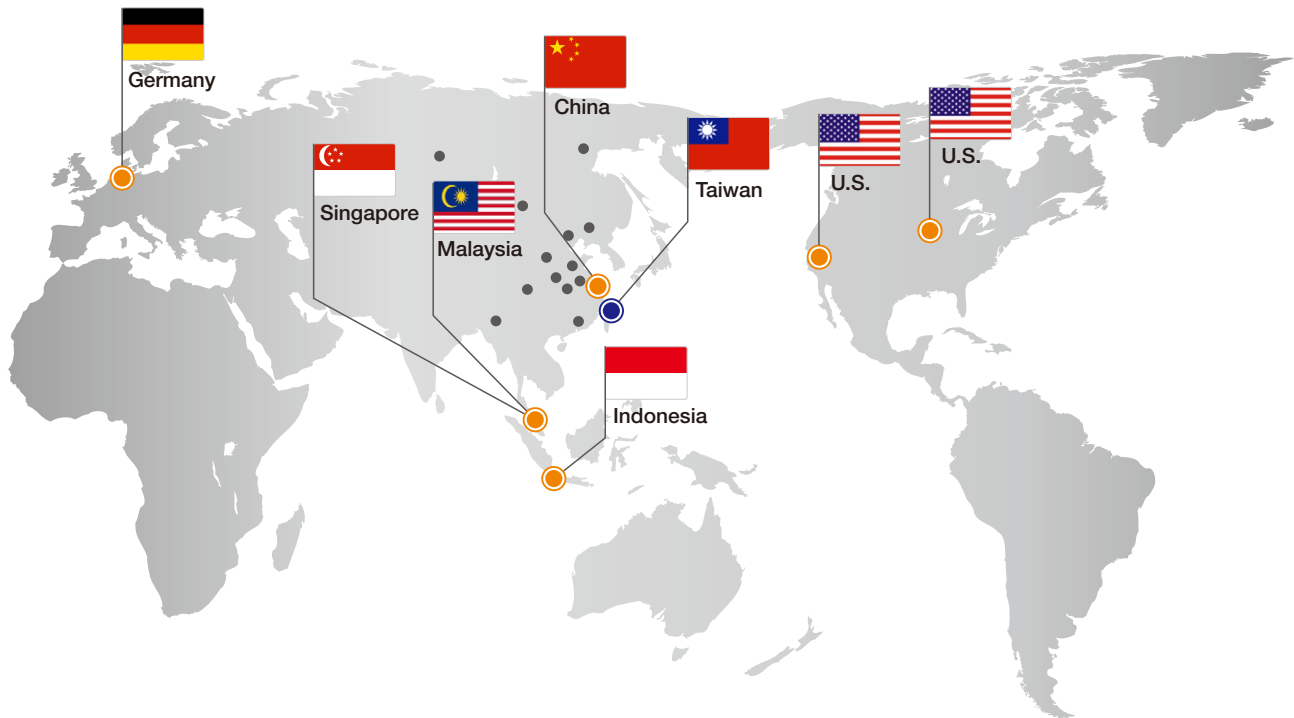


- ※  Means that the NC-C circuit will be close while liquid level lower than the float ball, by mark of "ON".
- ※  Means that the NO-C circuit will be close while liquid level higher than the float ball, by mark of "ON".
- ※  Means that the NO-C circuit will be close while liquid level higher than the float ball, and NC-C circuit will be close while liquid level lower than the float ball.

※ Please screw the housing cap tightly and fix the conduit outlet, it will reinforce the housing performance against the moisture and direct water. ( $\phi$ 8mm multiple cord is recommended for wiring)

※ If the end user is intended to adjust the actuation level position independently, please move the float ball(s) position as well as the interior reed switches, otherwise, it will appear an error or no signal.

# Global Network



## ■ Asia

### ● Taiwan

**FineTek Co., Ltd. - Taipei Head Quarter**  
No.16, Tzuchiang St., Tucheng Industrial Park  
New Taipei City 236, Taiwan  
TEL: 886-2-2269-6789  
FAX: 886-2-2268-6682  
EMAIL: info@fine-tek.com

### ● China

**Fine automation Co., Ltd. - Shanghai Factory**  
No.451 DuHui Rd, MinHang District, Shanghai,  
China 201109  
TEL: 86-21-6490-7260  
EMAIL: info.sh@fine-tek.com

### ● Singapore

**FineTek Pte Ltd. - Singapore Office**  
No. 60 Kaki Bukit Place, #07-06 Eunos  
Techpark 2 Lobby B, Singapore 415979  
TEL: 65-6452-6340  
EMAIL: info.sg@fine-tek.com

### ● Indonesia

**FineTek Co., Ltd. - Indonesia Office**  
Ruko Golden 8 Blok H No.40  
Gading Serpong, Tangerang, Indonesia  
TEL: 62 (021)-2923-1688  
EMAIL: info.id@fine-tek.com

### ● Malaysia

**FineTek Co., Ltd. - Malaysia Office**  
8-05, Plaza Azalea, Persiaran Bandaraya,  
Seksyen 14, 40000 Shah Alam, Selangor, Malaysia  
TEL: 603-5524-7168  
EMAIL: info.my@fine-tek.com

## ■ North America

### ● California, U.S.

**Aplus Finetek Sensor Inc. - US Office**  
355 S. Lemon Ave, Suite D, Walnut,  
CA 91789  
TEL: 1 909 598 2488  
FAX: 1 909 598 3188  
EMAIL: info@aplusfine.com

### ● Illinois, U.S.

**Aplus Finetek Sensor Inc.**  
TEL: 1 815 632-3132  
FAX: 1 815 716 8464  
EMAIL: info@aplusfine.com

## ■ Europe

### ● Germany

**FineTeK GmbH - Germany Office**  
Frankfurter Str. 62, OG D-65428  
Ruesselsheim, Germany  
TEL: +49-(0)6142-17608-0  
FAX: +49-(0)6142-17608-20  
EMAIL: info@fine-tek.de



Distributor: